

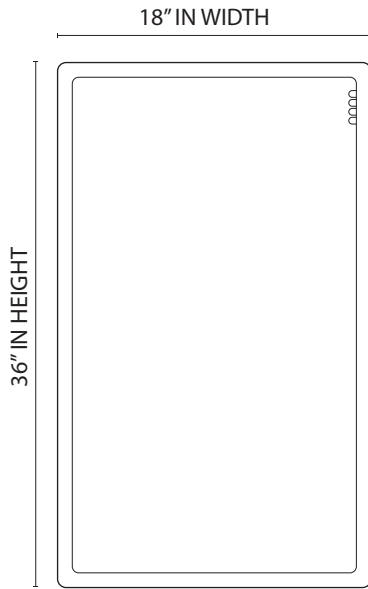


MODEL NO: MK-1836C

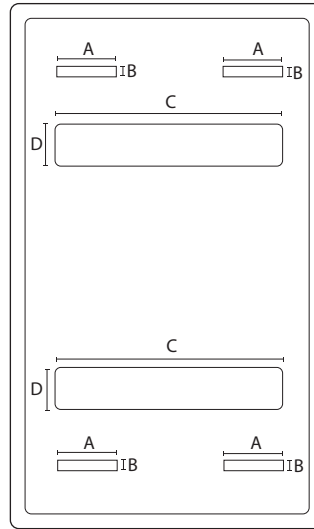
ISSUED: 03.04.2024

REVISED:

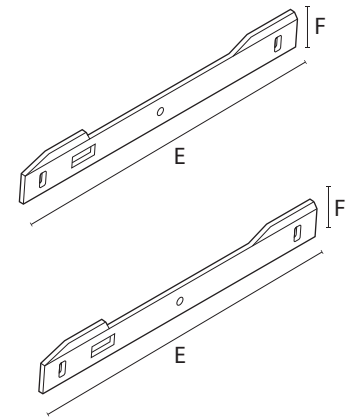
PEEL MIRROR SYSTEM™ - A Product of Property Protection International Inc.



PICTORIAL VIEW

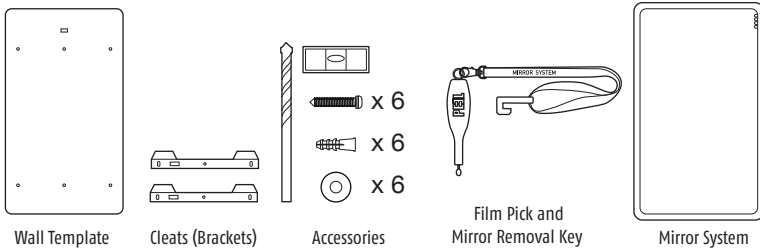


BACKING VIEW



BRACKETS VIEW

MK-1836C Complete - Included in the full kit box:



LOCATION

SIZE

<u>LOCATION</u>	<u>SIZE</u>
A	3.5"
B	1"
C	14"
D	3"
E	13.5"
F	.875"

SPECIFICATIONS

PEEL Mirror System™ is constructed of black acrylic (1/4" thick) which provides shatter resistance, along with Mirror Shield® Multi-Layer, 4 layers pre-installed featuring a patented peel point system. Mirror Finished polyester film that mimics a mirror when installed with a durable acrylic abrasion resistant coating, acid resistant top coating, and a pressure sensitive adhesive over the other.

INSTALLATION

Install products with manufacturer's written instructions and recommendations, including the following:

- Verify blocking has been installed properly to comply with local building codes.
- Verify location does not interfere with door swings or use of fixtures.
- Use supplied fasteners (pick/key tool, cleats, level, screws, washers, anchors, and multisurface drill bit) suitable for substrate and project conditions.
- Use Offset Spacer for uneven surfaces that may interfere with flat wall mounting.
- Install units rigid, straight, plumb, and level, with provided fasteners in accordance with manufacturer's installation instructions and approved shop drawings.
- Test for proper operation.

THIS MANUFACTURER RESERVES THE RIGHT TO MAKE CHANGES IN DESIGN OR DIMENSIONS WITHOUT FORMAL NOTICE



ADA COMPLIANT

- Consult local and national accessibility codes for proper installation guidelines.
- Conformity and compliance to local and national codes is the responsibility of the installer.