

PEEL™ MIRROR SYSTEM

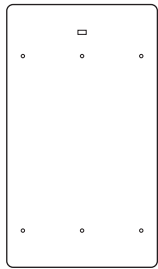
INSTALLATION STEP-BY-STEP GUIDE

Learn More At
www.peelmirrorsystem.com

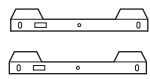
VIEW INSTALLATION VIDEO



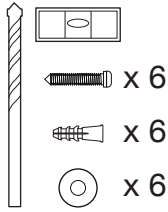
Included in the box:



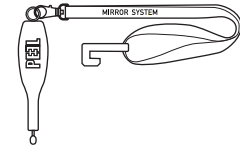
Wall Template



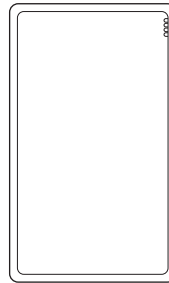
Cleats (Brackets)



Accessories

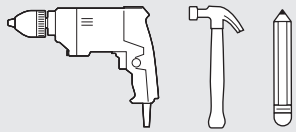


Film Pick and
Mirror Removal Key



Mirror System

Not Included, Required Tools



Offset Spacer sold seperately

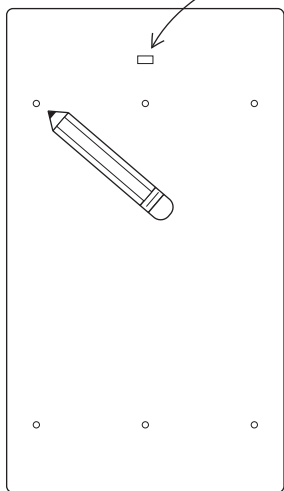
Peel Mirror System Tile Spacer 1/4"
Spacer for tile, FRP, other offsets



SCAN QR CODE TO VIEW INSTALL VIDEO



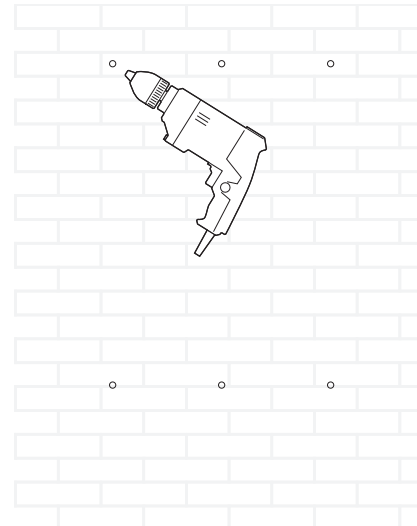
1



Put the level into the cutout on the template and level the template. Mark the holes on the wall surface with a pencil.

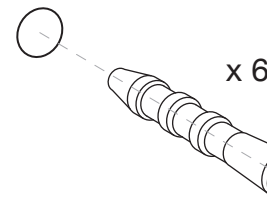
*Be sure to place the template/mirror 1/2" above sink to avoid exposure to constant moisture.

2



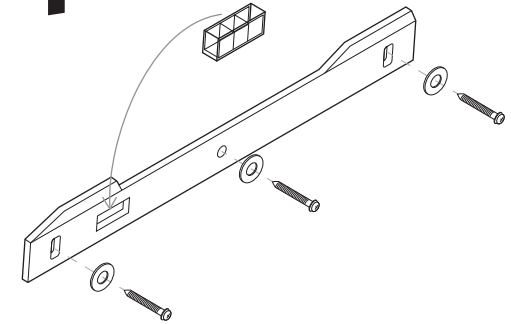
Drill on the previous spots marked utilizing the provided drill bit.

3



Insert the plugs inside previously drilled holes. Secure plugs with a hammer.

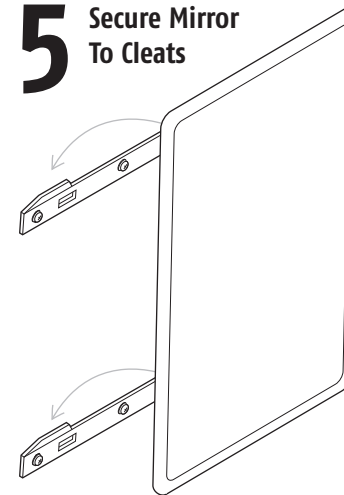
4



Insert level into Cleat, level, and install the screws starting with the center one.

5

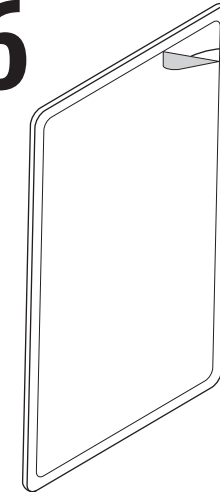
Secure Mirror To Cleats



Align the hooks behind the mirror just below the cleats, flush with the wall. Slowly raise the mirror up, once you hear the click sound over the cleats, push down on the mirror to secure.

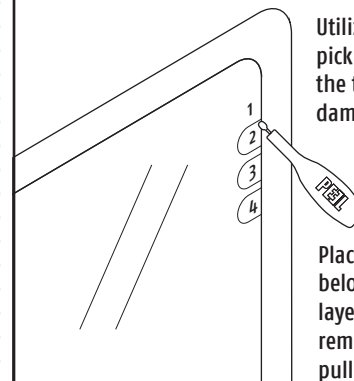
Installation Complete.

6



Remove the white film coating to reveal the mirror surface.

How To Peel Layers



Utilize the film pick to remove the top, damaged layer.



VIEW VIDEO

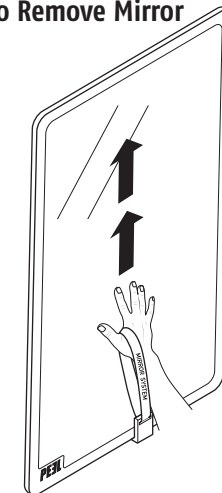
Place the film pick just below the numbered layer you'd like to remove, hook up and pull away.

Once the 3rd layer is removed, it's time to place a new mirror order with your sales rep or scan the QR Code



VIEW VIDEO

How To Remove Mirror



To remove the mirror system, insert the key to the bottom of the mirror and press firmly forward and up.



VIEW VIDEO